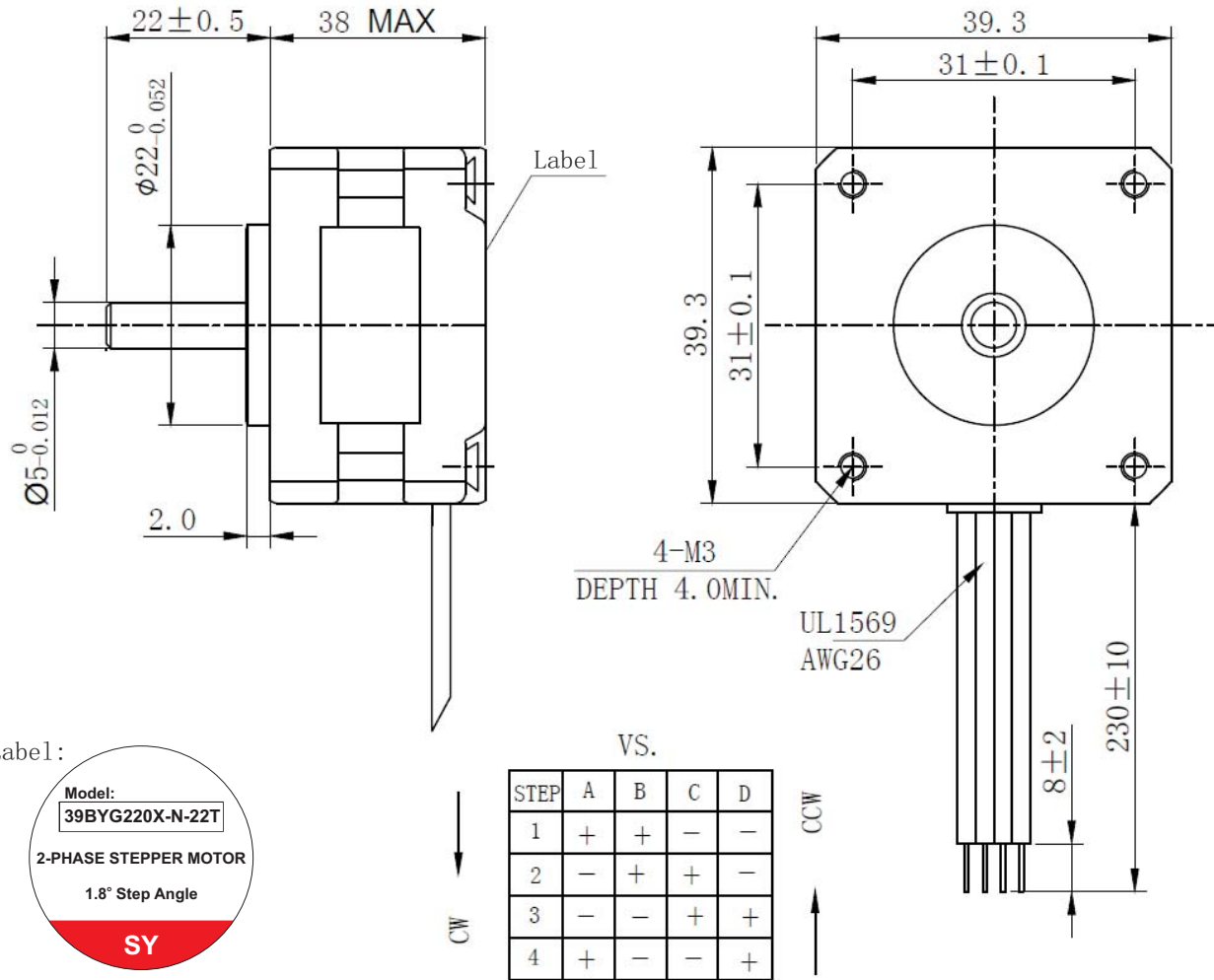


Overall dimensions

unit: mm



VS.

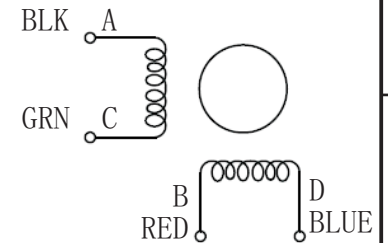
STEP	A	B	C	D
1	+	+	-	-
2	-	+	+	-
3	-	-	+	+
4	+	-	-	+

CW
CCW

Motor characteristics

Project	Specifications
Driver voltage	DC 12-24 V
Coil voltage = Rated current = x	The rated voltage = Resistance/phase
Rated current	DC 0.5A
Step Angle	1.8° ± 0.09°
Phase	2
Resistance/phase	7.5 × (1 ± 10%) Ω
Induktance/Phase	15 × (1 ± 20%) mH
Holding Torque	250 mN.m (I=0.5A)REF
Positioning torque	14.8mN.m
Maximum No-load starting frequency	≥1500 PPS
Maximum No-load operating frequency	≥2500 PPS
Delectric Strength	≥100 MΩ (DC 500V)
Insulation Class	Class B
Rotor inertia	20 g.cm ²
Weight	0.21 kg/pc REF.

Wiring diagram:



Size subject to drawings marked

Size unspecified tolerance Table

SY

Unit : mm Proportion: nts

0°	0	±0.2
0.0°	0.0	±0.1
0.00°	0.00	

SHENGYANG MOTOR CO.,LTD

Project No.:

Designer / Date

Title: 39BYG2220-N-22T

Czech - Slovak Distributor:

Proofreader / date

Standardization / Date

TERRA computer systems

Approved by / date

29.07.2020

Olomoucka 81, 62700 Brno

Version No.: A

Czech Republic

www.terra.cz

info@terra.cz

A1

Change content

Date

Version No.: A